

TH685P

BenQ DLP Projector



Features

- Watch Content & Play Games in Bright Environments with 3500 ANSI Lumens Brightness
- Color Space Coverage of 95% Rec.709 with optimized Color Wheel
- Projector-optimized HDR Technology with HDR10 and HLG Support
- Flexible Installation with 1.3x Zoom & Throw Ratio of 1.13~1.46
- Low Input Lag in Fast Mode with 8.3ms Response Time for Real-time Gameplay
- Immersive 5W Chamber Speaker with Fine-tuned EQ (Audio Equalizer) mode
- Equipped with LUMIEXPERT Ambient Light Sensor



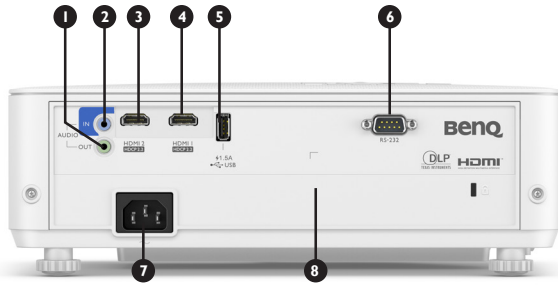
Product Specifications

Projection System	DLP
DMD type	0.48"
Native Resolution	1920 x 1080 pixels, 16 : 9
Brightness	3,500 ANSI Lumens
Contrast Ratio*	10,000 : 1
Display Color	30 Bits (1,07 billion colors)
Aspect Ratio	Native 16 : 9 (3 aspect ratios selectable)
Light Source	Lamp
Light Source life**	Normal: 4,000 hours / Economic: 10,000 hours / Smart Eco: 8,000 hours / Lamp save: 15,000 hours
Throw Ratio	1.13~1.46 (100' @ 2.43 m)
Zoom Ratio	1.3X
Keystone Correction	Auto 1D Vertical ± 30 degrees
Projection Offset	105%
Digital Lens Shift	Vertical +/-5%
Projection Size (Clear Focus / Maximum)	60"~200" / 30"~300"
Built-in Speaker	5W Chamber speaker x 1
Picture Mode	Bright / Living Room / Cinema / Sports / Game / (3D)* / User 1 / User 2
Color Wheel Segment	6 segment (RGBWYC)
Color Wheel Speed	2X(2D/3D, 50Hz/60Hz) , 3D max 144Hz
Security	Security Bar; Kensington lock
Feature	8.3ms Low Input Lag, Game Picture Mode, HDR10/HLG Compatible, Digital Lens Shift, 95% Rec.709, LumiExpert Technology
Resolution Support	VGA (640 x 480) to WUXGA (1920 x 1200)
Horizontal Frequency	15K-102KHz
Vertical Scan Rate	23-120Hz
HDTV Compatibility	720p 50/60Hz, 1080i 50/60Hz, 1080p 24/25/30/50/60Hz, 2160p 23/24/25/30/60Hz
Video Compatibility	NTSC, PAL, SECAM, SDTV (480i/576i), EDTV (480p/576p), HDTV (720p, 1080i/p 60Hz)
Power Consumption (Max / Normal / Eco)	340W / 297W / 206W
Standby Power Consumption	0.5W Max. at 100 ~ 240VAC
Power Supply	VAC 100 ~ 240 (50/60Hz)
Product Dimensions (W x H x D)	312 x 110 x 225 mm
Product Weight	2.79 kg
Noise Level (Normal / Eco)	35 / 29 dBA
Operating Temperature	0~40 degrees (Celsius)
Accessories (Standard)	Remote Control RCV013 with 2 x AAA Batteries (5JJGY06.001) Power Cord (based on region) x 1 Quick Start Guide in 21 Languages (4JLL801.002) Warranty Card (based on region)
Accessories (Optional)	Spare Lamp Kit (5JJKX05.001) 3D Glasses (Supported 3D Modes: Top Bottom, Frame Sequential, Frame Packing, Side by Side)
On Screen Display Language	Arabic / Bulgarian / Croatian / Czech / Danish / Dutch / English / Finnish / French / German / Greek / Hindi / Hungarian / Italian / Indonesian / Japanese / Korean / Norwegian / Persian / Polish / Portuguese / Romanian / Russian / Simplified Chinese / Spanish / Swedish / Turkish / Thai / Traditional Chinese / Vietnamese (30 Languages)

*The contrast is measured by Full On Full Off standard.

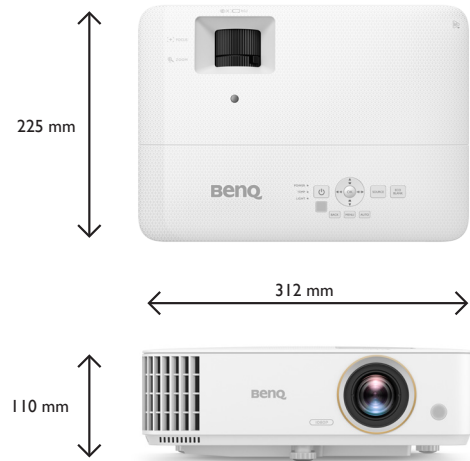
**Lamp life results will vary depending on environmental conditions and usage. Actual product's features and specifications are subject to change without notice.

Input and Output Terminals

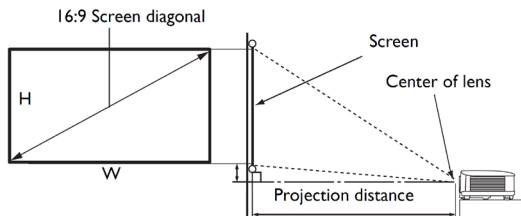


- 1 Audio output (mini jack)
- 2 Audio input (mini jack)
- 3 HDMI-2
- 4 HDMI-1 / MHL
- 5 USB Type A (1.5A power)
- 6 RS232 input (D-sub 9pin, male)
- 7 AC Power cable inlet
- 8 IR Receiver (Front+Rear)

Dimensions



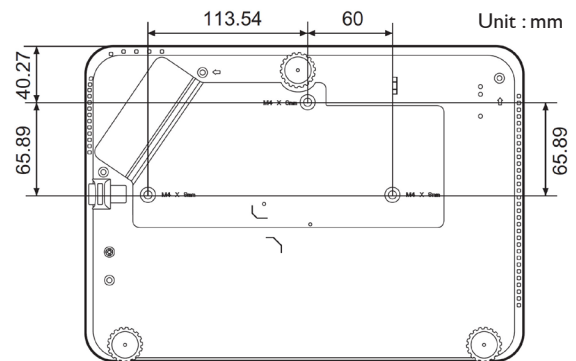
Distance Chart



Screen Size				Distance from Screen			Offset (mm)
Diagonal	Height	Width	Min length (max zoom)	Average	Max length (min zoom)		
30	762	374	664	750	863	976	19
40	1016	498	886	1001	1151	1302	25
50	1270	623	1107	1251	1439	1627	31
60	1524	747	1328	1501	1727	1953	37
70	1778	872	1550	1751	2015	2278	44
80	2032	996	1771	2001	2302	2603	50
90	2286	1121	1992	2251	2590	2929	56
100	2540	1245	2214	2502	2878	3254	62
110	2794	1370	2435	2752	3166	3580	68
120	3048	1494	2657	3002	3454	3905	75
130	3302	1619	2878	3252	3741	4231	81
140	3556	1743	3099	3502	4029	4556	87
150	3810	1868	3321	3752	4317	4881	93
160	4064	1992	3542	4003	4605	5207	100
170	4318	2117	3763	4253	4893	5532	106
180	4572	2241	3985	4503	5180	5858	112
190	4826	2366	4206	4753	5468	6183	118
200	5080	2491	4428	5003	5756	6509	125
210	5334	2615	4649	5253	6044	6834	131
220	5588	2740	4870	5504	6331	7159	137
230	5842	2864	5092	5754	6619	7485	143
240	6096	2989	5313	6004	6907	7810	149
250	6350	3113	5535	6254	7195	8136	156
260	6604	3238	5756	6504	7483	8461	162
270	6858	3361	5977	6754	7770	8787	168
280	7112	3487	6199	7004	8058	9112	174
290	7366	3611	6420	7255	8346	9437	181
300	7620	3736	6641	7505	8634	9763	187

* The screen aspect ratio and projected picture are in 16:9

Ceiling Mount Chart



Ceiling/Wall mount screw:
M4 (Max L = 25 mm; Min L = 20 mm)

BenQ Europe B.V.

Meerenakkerweg 1-17
5652 AR Eindhoven
The Netherlands
Tel: +31 88 8889200
Fax: +31 88 8889299

BenQ.eu

© 2022 BenQ Corp. Specifications may vary by region, please visit your local stores for details. Actual product's features and specifications are subject to change without notice. This material may include corporate names and trademarks of third parties which are the properties of the third parties respectively.





Full HD 1080P Resolution



3500 ANSI Lumens

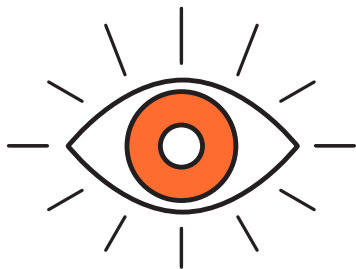


CinematicColor™

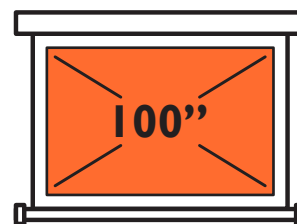
95% Rec.709 CinematicColor



8.3ms Low Input Lag



Enhanced Game Mode



1.3 x Zoom Flexible Installation



BenQ Europe B.V.

Meerenakkerweg 1-17
5652 AR Eindhoven
The Netherlands
Tel: +31 88 8889200
Fax: +31 88 8889299

BenQ.eu

© 2022 BenQ Corp. Specifications may vary by region, please visit your local stores for details. Actual product's features and specifications are subject to change without notice. This material may include corporate names and trademarks of third parties which are the properties of the third parties respectively.

